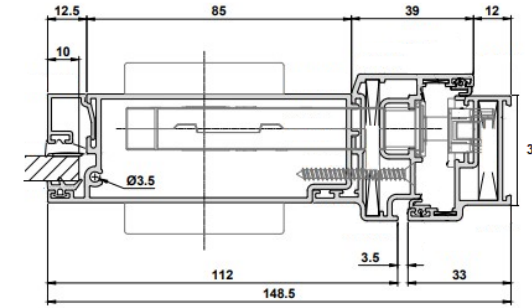
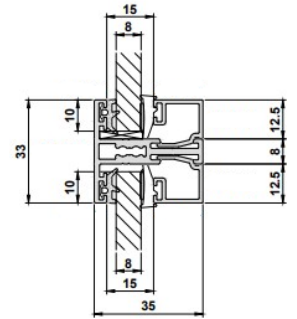
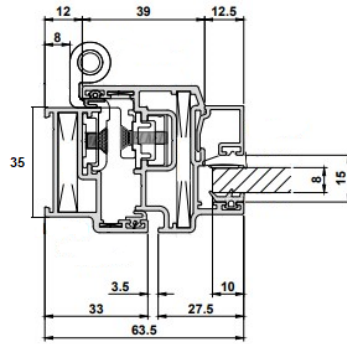
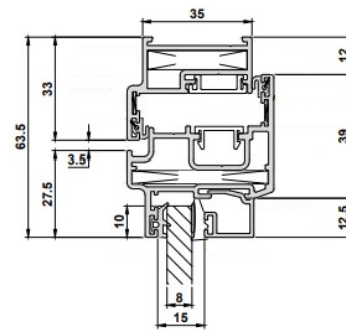
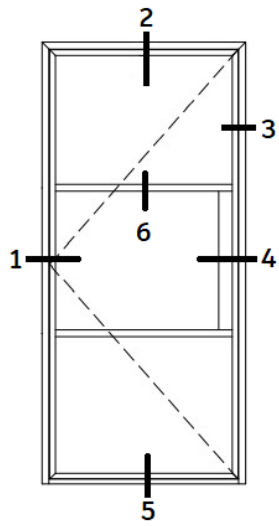


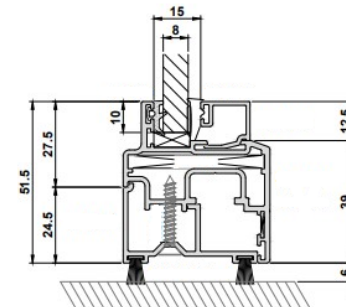
ALU ELITE



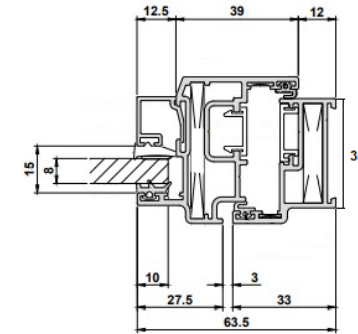
1 - Hinge Detail

6 - Transom Detail

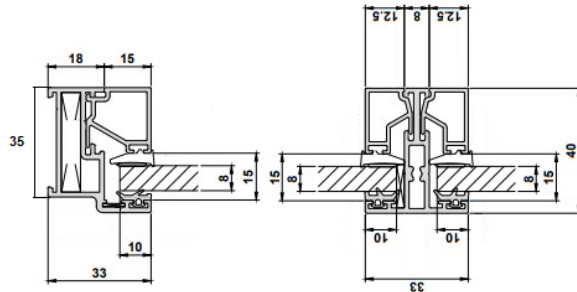
4 - Lock Housing Detail



5 - Base / Threshold Detail



3 - Outer / Sash Detail



Fixed Panel Outerframe and Transom Detail